

Small & medium capacity air pump
XP-40 / 60 / 80

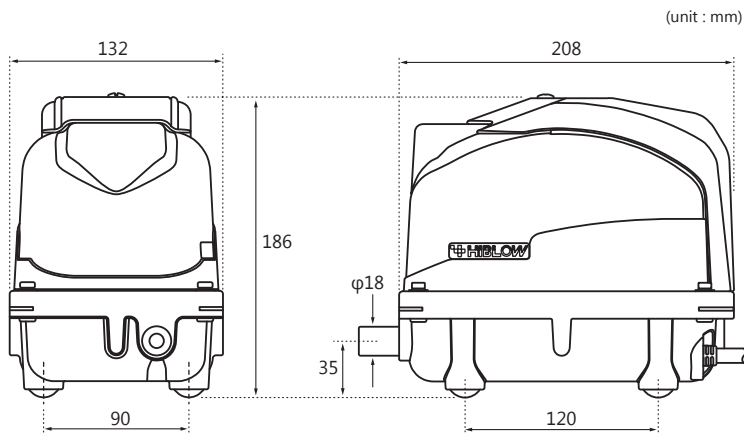


- Pressure type
- Dust control "Dust trap filter"
- Easy restart by micro switch (XP-60 / 80 only)
- No need of grounding
- Outdoor (Rainproof) use

Applications

- Septic tank (biological contact aeration)
- Air injection for bubble bath
- Small capacity compressor

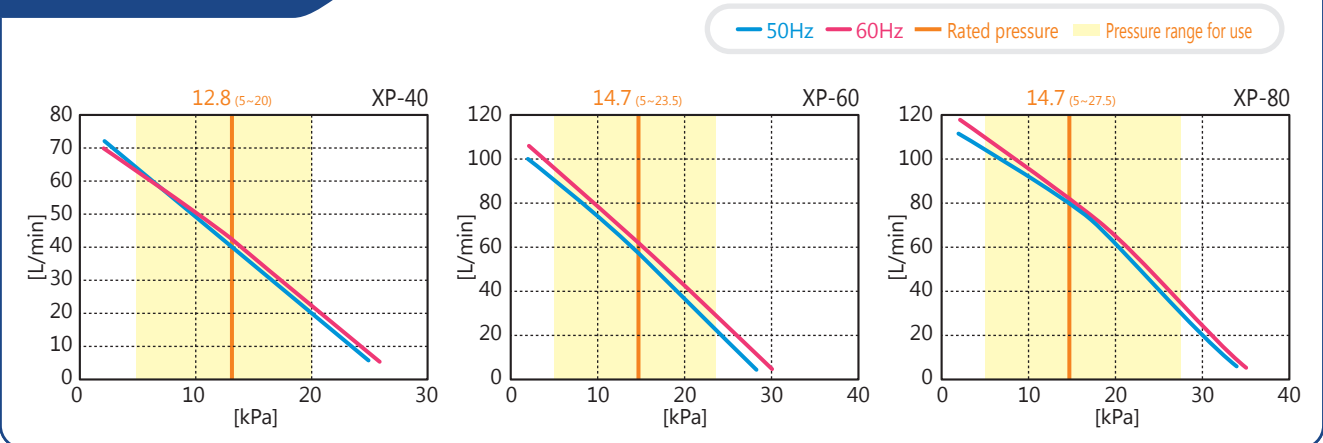
Dimensions



Specifications

	XP-40	XP-60	XP-80
Rated voltage [V]	AC100 / 120 / 230		
Power frequency [Hz]	50 60	50 60	50 60
Rated pressure [kPa]	12.8	14.7	
Airflow volume [L/min]	40	60	80
Power consumption [W]	30	39	58
Sound level [dBA]	33	35	36
Weight [kg]	4.1	4.3	

Performance Curve



* All characteristics values are only for reference, and are not guaranteed values.
* Note that the operating temperature for our pumps is 41°F(5°C) to 104°F(40°C).